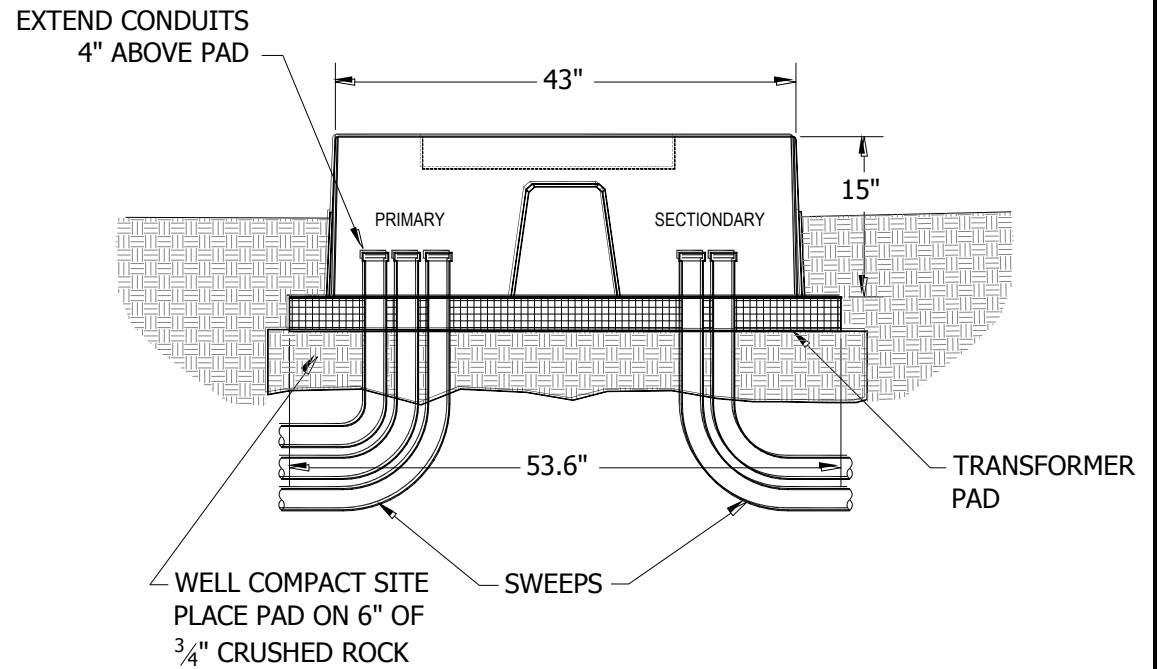


**PLAN VIEW**



**ELEVATION VIEW**

1. **NORDIC ND-130 for Single Phase**
2. **NORDIC 362442-mg2101-X-X for Two Phase**
3. **NORDIC ND-350 for Three Phase**
4. **EXTEND CONDUITS 4" ABOVE PAD.**

*Detail No.*

**ETP-1**



City of Needles  
**STANDARD DETAIL**

**TRANSFORMER PAD SPECIFICATION**

*Revised*

06/26/07

*Detail No.*

**ETP-1**